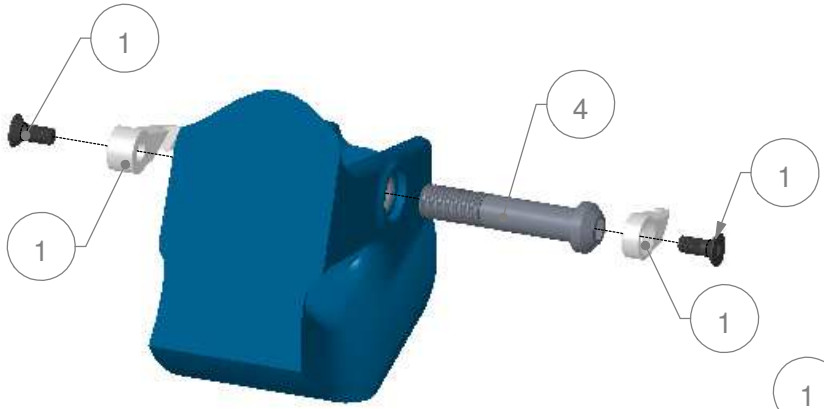


DO PIVOT

BL PIVOT

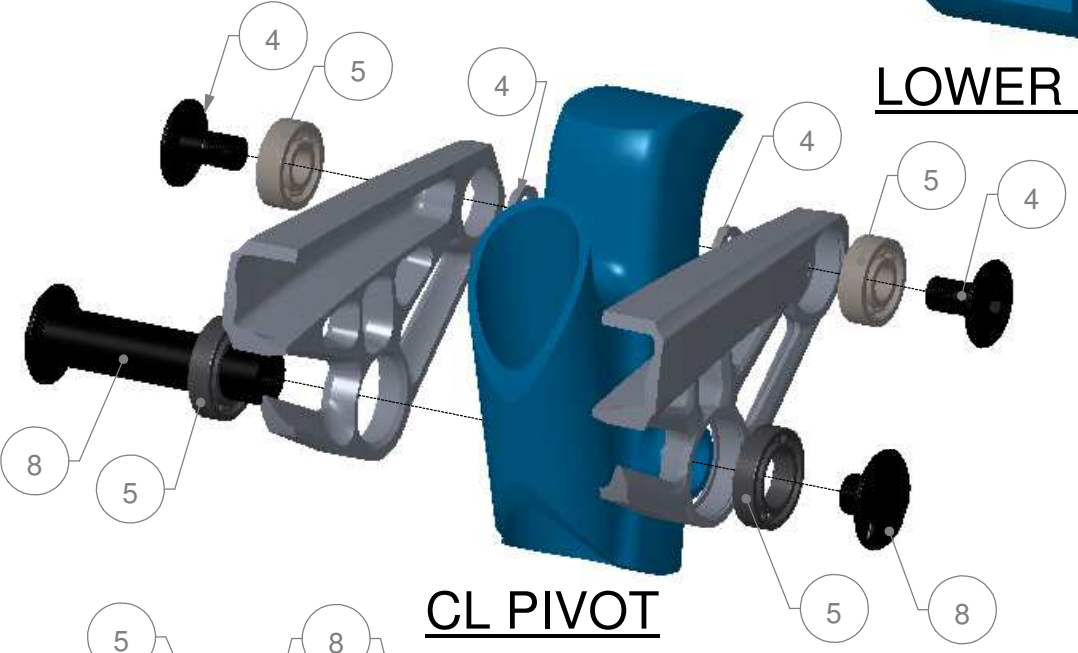
SPARTAN CARBON 29		
ITEMS	#SERVICE KIT	DESCRIPTION
1	KFC18005	Cable Guide kit Spartan Carbon 27
2	KFC16053	Foam Kit for Internal Routing
3	KFC19001	Carbon skidplate Spartan Carbon 29
4	KFC18001-01	Spartan Carbon 27/29 Shock bolt Black
5	KFC18003	Bearing kit Spartan 27 2018+
6	KFC19002	Protector kit Spartan Carbon 29
7	KFC19010	Rear Axle SuperBoost157*12mm/209.5mm
8	KFC19003-01	Pivotkit Shaft Spartan Carbon 29 Black
9	KFC11051	Derailleur Hanger SplitPivot
10	KFC19047	Spacer/Bolt Kit SB157 ChainGuide

CAREFULLY READ THE ASSEMBLY AND CLEANING INSTRUCTIONS ON NEXT PAGE.

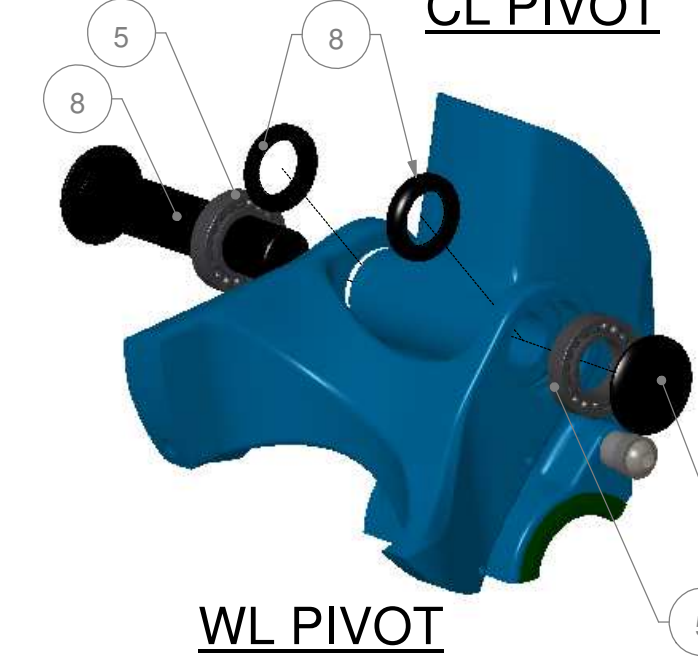


LOWER SHOCK

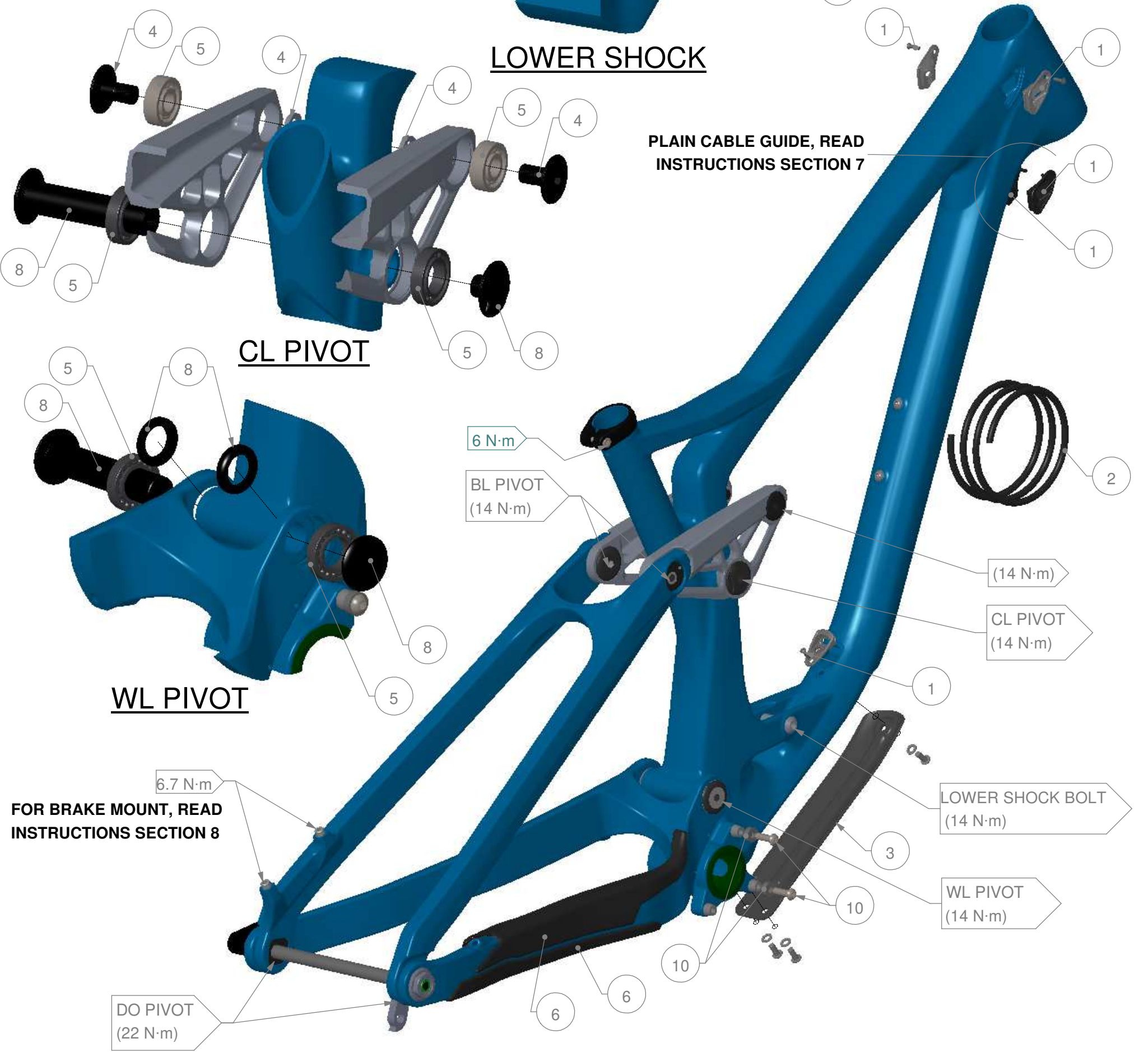
PLAIN CABLE GUIDE, READ INSTRUCTIONS SECTION 7



CL PIVOT



WL PIVOT



ASSEMBLY INSTRUCTIONS:

- 1- THOROUGHLY CLEAN THE INTERIOR OF EACH BEARING HOUSING TO REMOVE ANY DIRT OR OLD GREASE;
- 2- APPLY HIGH QUALITY WATERPROOF GREASE ON THE INSIDE FACE AND OUTSIDE DIAMETER OF ALL BEARING HOUSINGS BEFORE PRESS-FIT;
- 3- APPLY HIGH QUALITY WATERPROOF GREASE TO ALL PIVOT PARTS THAT CONTACT WITH THE INNER DIAMETER OF THE BEARINGS.
- 4- APPLY HIGH QUALITY WATERPROOF GREASE TO ALL NON-THREADED METAL-TO-METAL INTERFACES (EX.: PLANAR FACE OF THE PIVOT SPACER THAT CONTACTS THE LATERAL FACES OF THE FRONT TRIANGLE WL PIVOT). THESE INSTRUCTIONS ALSO APPLY TO THE SHOCK ASSEMBLY;
- 5- UNLESS OTHERWISE SPECIFIED, APPLY BLUE LOCTITE 242 ON ALL THREADS BEFORE ASSEMBLY TO THE SPECIFIED TORQUE VALUE;
- 6- TO PREVENT DAMAGE TO THE FRAME, THE SEATPOST MUST HAVE A MINIMUM INSERTION IN THE SEAT TUBE.

CARBON FRAME:

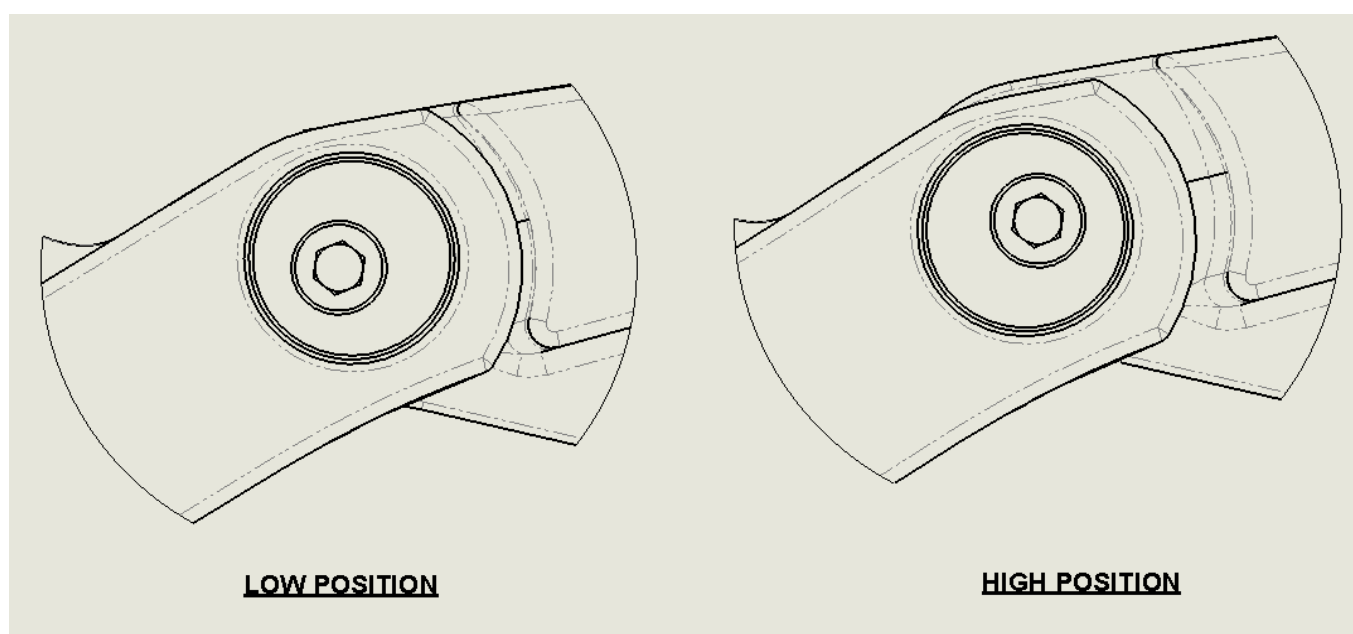
SMALL / MEDIUM - 70mm INSERTION
LARGE / X-LARGE - 100mm INSERTION

*ALWAYS VERIFY CONNECTOR CLEARANCE BEFORE FULLY INSERTING A DROPPER POST.

7- FRONT CABLE ENTRIES: IN ORDER TO BE COMPATIBLE WITH ALL CONFIGURATIONS, WE ADDED 2 PLAIN CABLE GUIDES (LEFT AND RIGHT) FOR THE FRONT ENTRY. THOSE CABLE GUIDE CAN BE DRILLED MANUALLY USING THE POSITION MARKS ON THE BACK.

8- REAR BREAK MOUNT: DURING THE ASSEMBLY, YOU WILL NOTICE THAT THE NATURAL BEND OF THE BRAKE CABLE MAY COME IN CONTACT WITH THE WHEEL'S SPOKES OR THE FRAME. SO WE HIGHLY SUGGEST TO GIVE A FULL ROTATION OF THE BRAKE BEFORE MOUNTING IT. IT WILL GIVE A TWIST TO THE CABLE AND PREVENT POTENTIAL CONTACTS.

9- FRG ADJUSTABLE: THIS DESIGN ALLOWS RIDERS TO CHOOSE BETWEEN A LOW OR HIGH POSITION. WITH FRG ADJUSTABLE TECHNOLOGY, YOU CAN FINE-TUNE YOUR RIDE TO PERSONAL TASTES OR SPECIFIC TRAIL TYPES USING A FLIP-FLOP PIVOT MECHANISM THAT SLIGHTLY CHANGES THE BIKE'S GEOMETRY AS SHOWN BELOW.



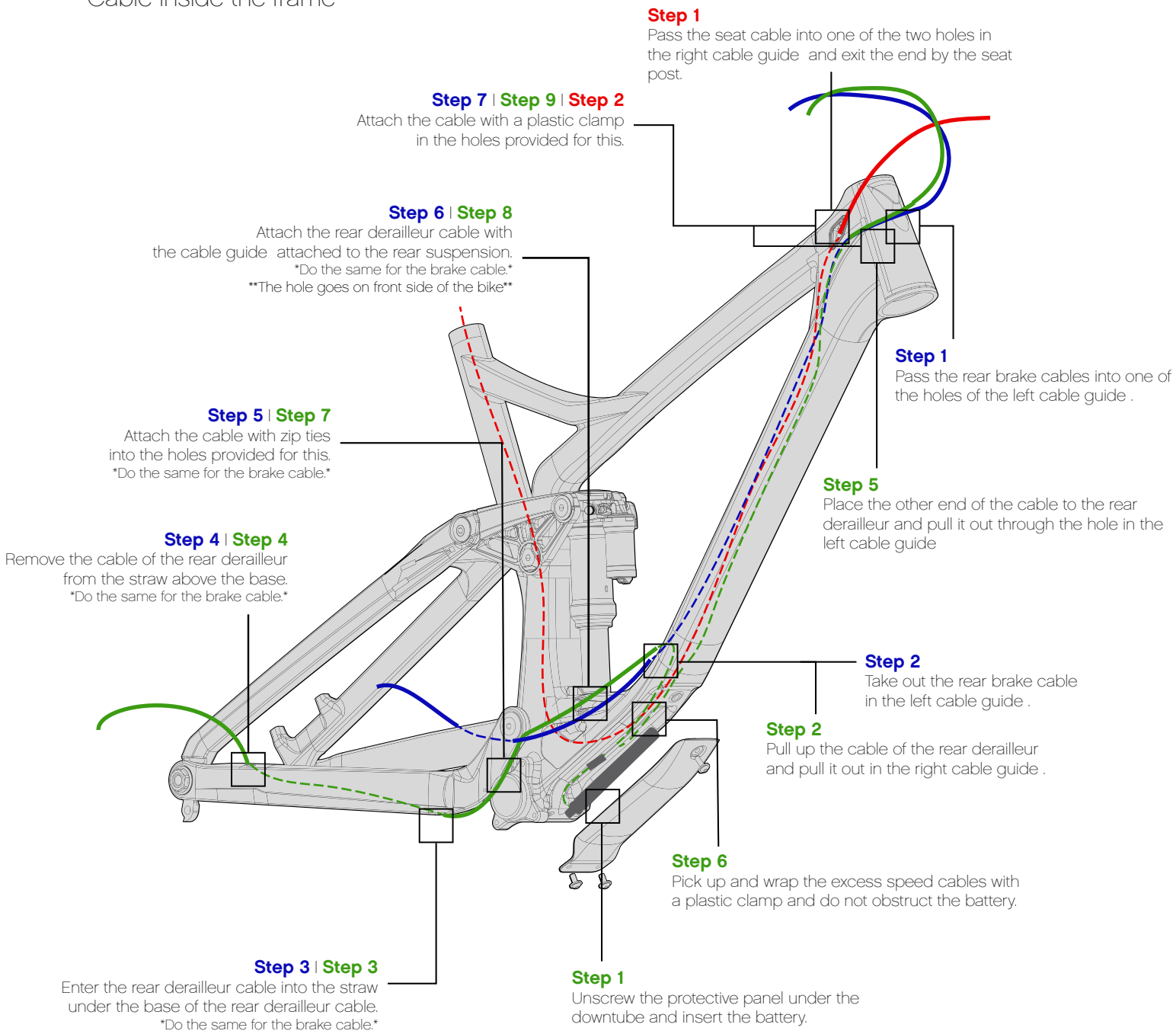
CLEANING INSTRUCTIONS:

IT IS A WELL KNOWN FACT THAT A CLEAN BIKE PERFORMS BETTER. DEVINCI RECOMMENDS WASHING YOUR BIKE REGULARLY USING A BRUSH AND SOAPY WATER. HOWEVER, DEVINCI DO NOT RECOMMEND THE USE OF A PRESSURE WASHER, SINCE THIS MAY SIGNIFICANTLY REDUCE THE SERVICE LIFE OF BALL BEARINGS. EVEN THOUGH OUR BALL BEARINGS ARE EQUIPPED WITH HIGH QUALITY DOUBLE-LIP SEALS, HIGH PRESSURE WATER CAN STILL PASS THESE SEALS AND REMOVE THE GREASE INSIDE THE BEARING. THIS MAY CAUSE PREMATURE CORROSION AND WEAR OF THE BALL BEARINGS.

DEVINCI

ELECTRONIC TRANSMISSION AND SEATPOST

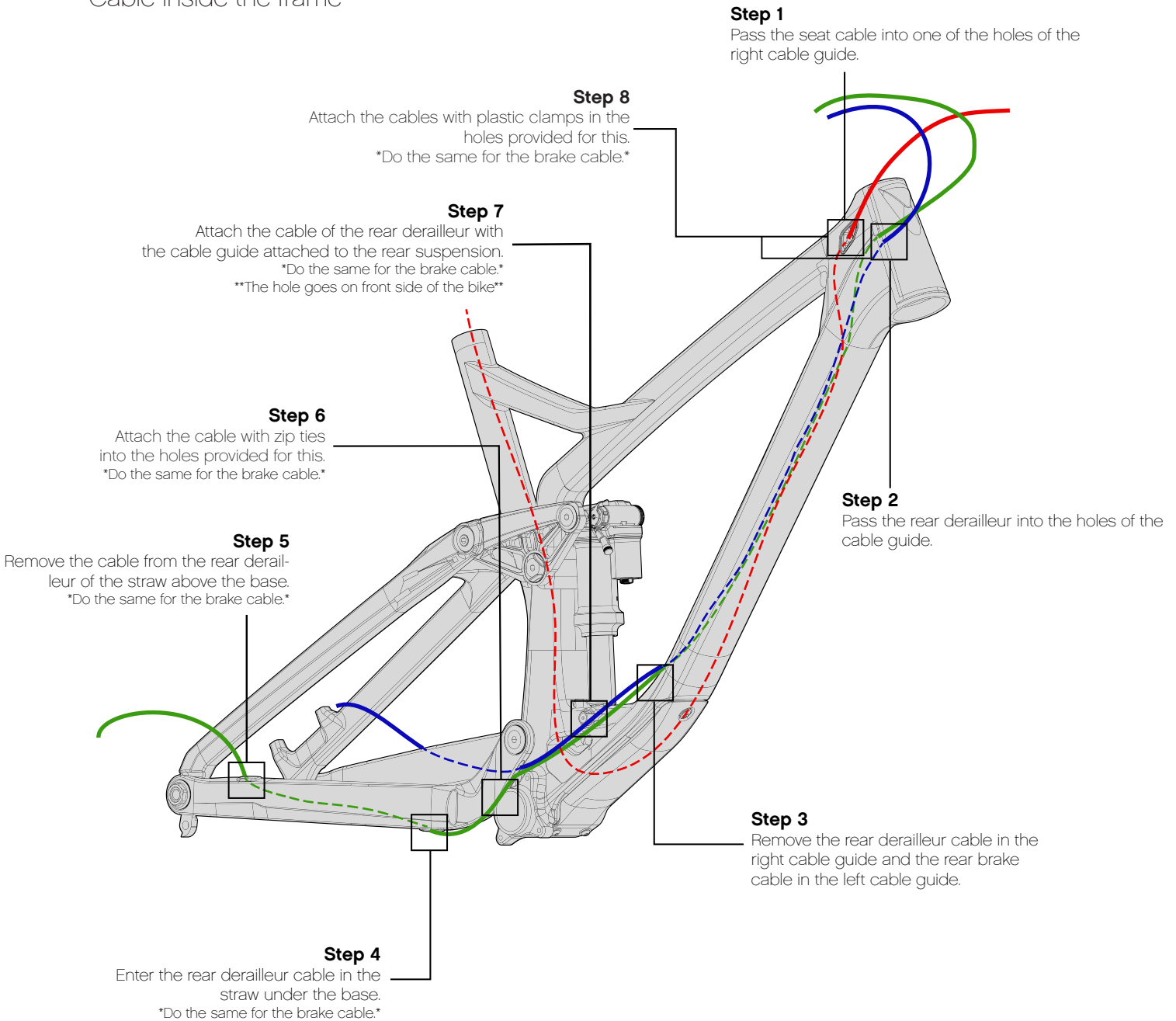
- Seatpost cable
- Rear derailleur cable
- Rear brake cable
- Cable outside the frame
- - - -** Cable inside the frame



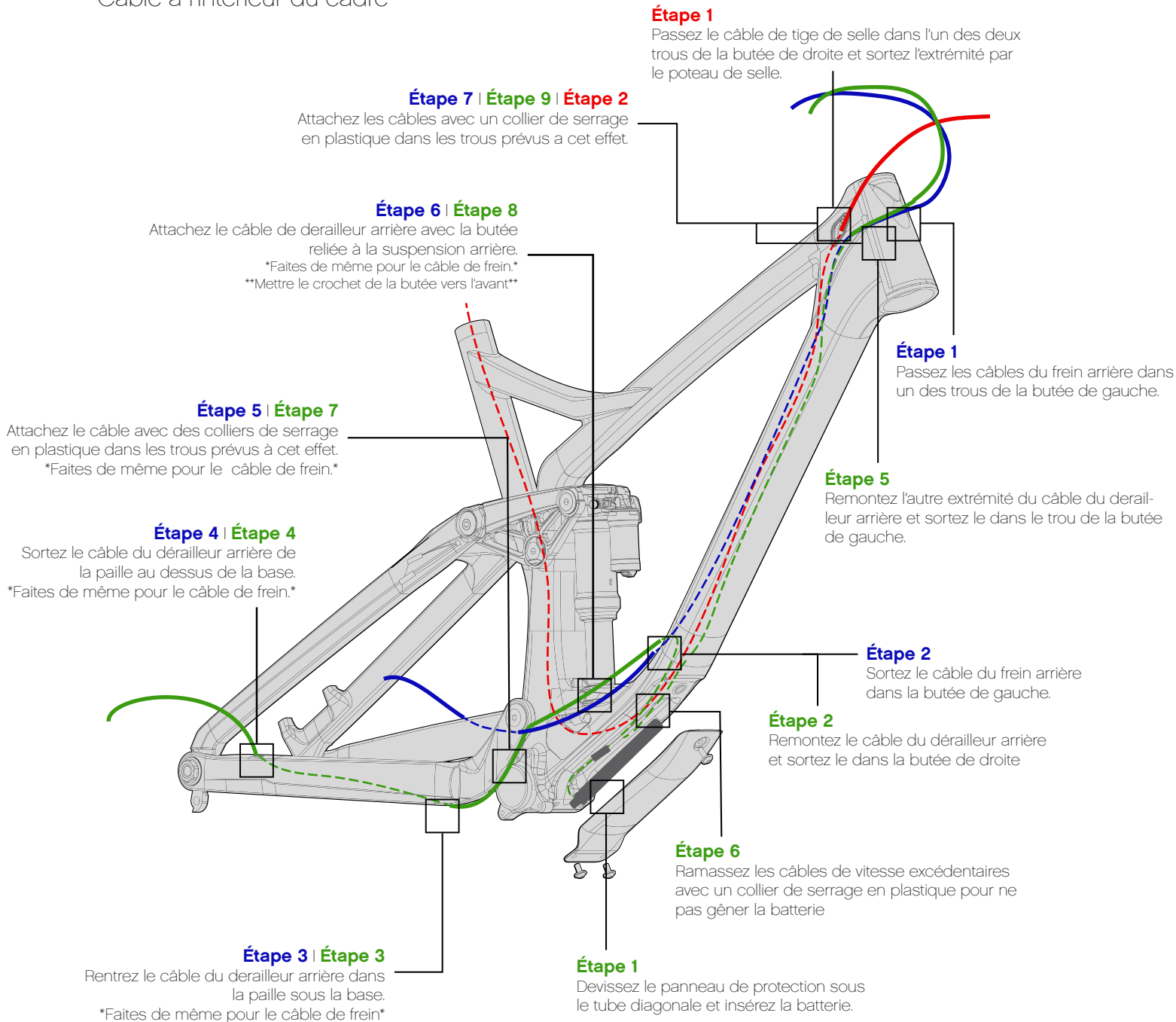
DEVINCI

CABLE TRANSMISSION AND SEATPOST

- Seatpost cable
- Rear derailleur cable
- Rear brake cable
- Cable outside the frame
- - - - Cable inside the frame



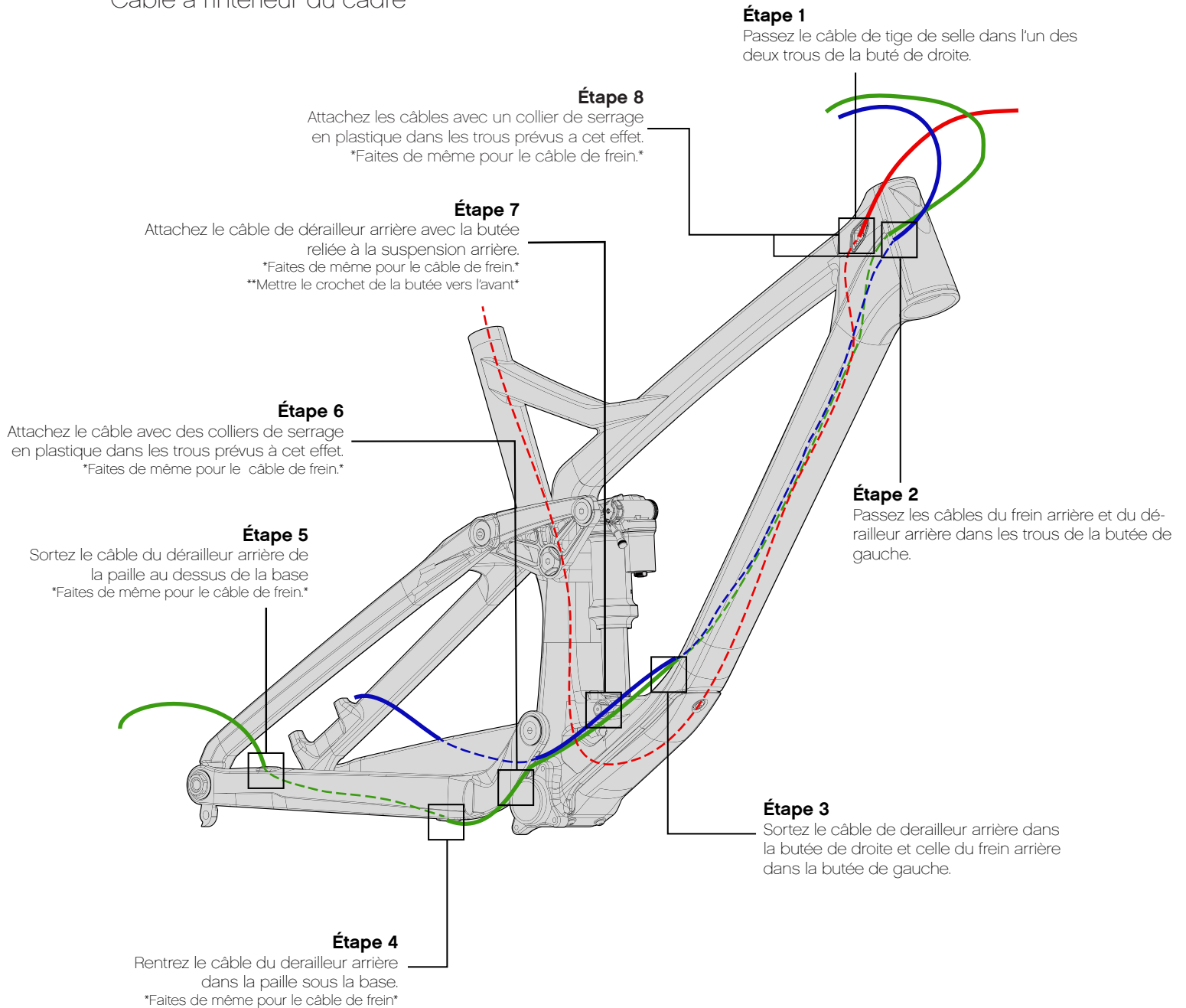
- Câble de tige de selle
- Câble du dérailleur arrière
- Câble du frein arrière
- Câble à l'extérieur du cadre
- Câble à l'intérieur du cadre



DEVINCI

TRANSMISSION À CÂBLE ET TIGE DE SELLE

- Câble de tige de selle
- Câble du dérailleur arrière
- Câble du frein arrière
- Câble a l'extérieur du cadre
- - - - Câble a l'intérieur du cadre



SPARTAN 29

Carbon / Aluminum

2019 - Current

Frame

Axle Length:	209mm
Rear Hub Spacing:	12 x 157 mm
Chain Guide:	ISCG 05
Recommended Fork Offset:	44 mm, 42mm
Seat Post Diameter:	31.6 mm
Seat Collar Diameter:	37 mm / 35 mm
Upper Headset:	ZS 44/28
Lower Headset:	ZS 56/40
Rear Brake:	Direct Mount 180mm(CR) 160mm (Alu) / MAX 200mm

Drivetrain

Crankset type:	SuperBoost 1X
Minimum Q-Factor:	173 mm
Chain Line:	56.5 mm
Minimum Chain Ring:	28T
Maximum Chain Ring:	38T
Bottom Bracket:	BSA 73 mm

Rear Shock

Dimension:	205 mm x 65 mm
Piggy Back Compatibility:	YES
Coil Shock Compatibility:	YES
Upper Hardware:	Trunnion
Lower Hardware:	10 mm x 20 mm

For more information contact service@devinci.com