

# SILVERSTONE SL 4

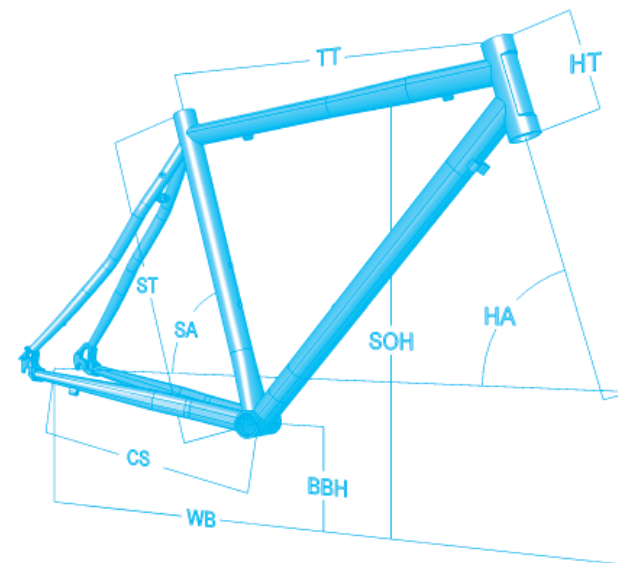


|                         |                                    |
|-------------------------|------------------------------------|
| <b>FRAME</b>            | SILVERSTONE SL                     |
| <b>SIZES</b>            | XS - S - M - L - XL                |
| <b>FORK</b>             | DEVINCI CARBON AS                  |
| <b>REAR SHOCK</b>       | -                                  |
| <b>SHOCK PUMP</b>       | -                                  |
| <b>HEADSET</b>          | TH IS-3E                           |
| <b>REAR DERAILLEUR</b>  | SHIMANO 105 5600                   |
| <b>FRONT DERAILLEUR</b> | FSA GOSSAMER FD                    |
| <b>CRANKSET</b>         | FSA GOSSAMER MEGA EXO 50/36T       |
| <b>CHAIN GUIDE</b>      | -                                  |
| <b>FRONT SHIFTER</b>    | SHIMANO 105 5600                   |
| <b>REAR SHIFTER</b>     | SHIMANO 105 5600                   |
| <b>CASSETTE</b>         | SHIMANO 105 5600 10S 12-25T        |
| <b>CHAIN</b>            | SHIMANO 105 5600                   |
| <b>PEDALS</b>           | -                                  |
| <b>FRONT WHEEL</b>      | SHIMANO R500                       |
| <b>REAR WHEEL</b>       | SHIMANO R500                       |
| <b>TIRES</b>            | MAXXIS DETONATOR 700X23C           |
| <b>BRAKES</b>           | PROMAX RC-452 DUAL PIVOT           |
| <b>STEM</b>             | FSA OS-190LX 31.8MM                |
| <b>HANDLEBAR</b>        | V2 GYRO ROADBAR 6061 BUTTED 31.8MM |
| <b>GRIPS, TAPE</b>      | VELO GEL CORK                      |
| <b>SADDLE</b>           | SELLE ITALIA FK TRANS AM           |
| <b>SEATPOST</b>         | V2 FUSION CARBON 31.6MM            |

## SILVERSTONE SL

SILVERSTONE SL 3, SILVERSTONE SL 4, SILVERSTONE SL 5

This high performance aluminum frame is for certified speed freaks. Made with an ultralight Optimum 2 frame, it is 30% more rigid than its predecessor, transforming the slightest pressure on the pedal into pure acceleration. Every detail has been carefully designed for ultimate speed and that extra kick in the field sprint.



|           | ST   |      | SA   |      | HA  |      | TT  |      | CS   |      | WB  |      | BBH |      | SOH |     | HT |    |
|-----------|------|------|------|------|-----|------|-----|------|------|------|-----|------|-----|------|-----|-----|----|----|
|           | cm   | in   | deg  | deg  | mm  | in   | mm  | in   | mm   | in   | mm  | in   | mm  | in   | mm  | in  | mm | in |
| <b>XS</b> | 40.0 | 15.7 | 76.0 | 71.0 | 500 | 19.7 | 410 | 16.1 | 975  | 38.4 | 270 | 10.6 | 667 | 26.3 | 100 | 3.9 |    |    |
| <b>S</b>  | 45.0 | 17.7 | 75.0 | 72.0 | 520 | 20.5 | 410 | 16.1 | 978  | 38.5 | 270 | 10.6 | 706 | 27.8 | 120 | 4.7 |    |    |
| <b>M</b>  | 50.0 | 19.7 | 74.0 | 73.0 | 540 | 21.3 | 410 | 16.1 | 980  | 38.6 | 270 | 10.6 | 744 | 29.3 | 140 | 5.5 |    |    |
| <b>L</b>  | 54.0 | 21.2 | 73.5 | 73.0 | 560 | 22.0 | 410 | 16.1 | 995  | 39.2 | 270 | 10.6 | 778 | 30.6 | 170 | 6.7 |    |    |
| <b>XL</b> | 58.0 | 22.8 | 73.0 | 73.0 | 585 | 23.0 | 410 | 16.1 | 1015 | 40.0 | 270 | 10.6 | 809 | 31.9 | 200 | 7.9 |    |    |

**DEVINCI**



devinciIntelligence

DEVINCI.COM