

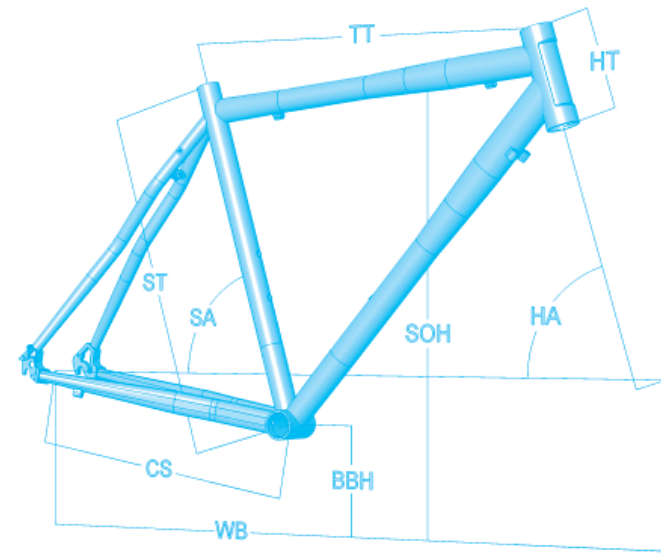
SILVERSTONE 1



FRAME	SILVERSTONE
SIZES	XS - S - M - L - XL
FORK	DEVINCI CARBON AS
REAR SHOCK	-
SHOCK PUMP	-
HEADSET	TH IS-3E
REAR DERAILLEUR	SHIMANO SORA 3300
FRONT DERAILLEUR	SHIMANO 2203
CRANKSET	TRUVATIV ISOFLOW ROAD 3.0 POWER SPLINE 52/42/30T
CHAIN GUIDE	-
FRONT SHIFTER	SHIMANO 2200
REAR SHIFTER	SHIMANO 2200
CASSETTE	SHIMANO HG50 8S 13-26T
CHAIN	SHIMANO HG50
PEDALS	WELLGO LU-208
FRONT WHEEL	RITCHEY ROAD / MADDUX DRX4000 / DT SWISS CHAMPION
REAR WHEEL	RITCHEY ROAD / MADDUX DRX4000 / DT SWISS CHAMPION
TIRES	MAXXIS DETONATOR 700X23C
BRAKES	PROMAX RC-462 DUAL PIVOT
STEM	DEVINCI ROAD
HANDLEBAR	HL ALLOY
GRIPS, TAPE	VELO CORK
SADDLE	SELLE ITALIA FK
SEATPOST	DEVINCI MICRO ADJUST 27.2MM

SILVERSTONE SILVERSTONE 1, SILVERSTONE 2

Based on the same high-performing Cx geometry, this aluminum frame delivers a smooth, stable ride whether you're tempo riding, drafting, or just cruising. The tubing shapes of the frame maximize energy transfer to the pedals while ensuring comfort thanks to the double bend stays. Whether for racing or hammering the country roads for fun, it's designed for the thrill of cutting the air and taming the tarmac.



	ST		SA		HA		TT		CS		WB		BBH		SOH		HT	
	cm	in	deg	deg	mm	in	mm	in	mm	in	mm	in	mm	in	mm	in	mm	in
XS	40.0	15.7	76.0	71.0	500	19.7	410	16.1	975	38.4	270	10.6	667	26.3	100	3.9		
S	45.0	17.7	75.0	72.0	520	20.5	410	16.1	978	38.5	270	10.6	706	27.8	120	4.7		
M	50.0	19.7	74.0	73.0	540	21.3	410	16.1	980	38.6	270	10.6	744	29.3	140	5.5		
L	54.0	21.2	73.5	73.0	560	22.0	410	16.1	995	39.2	270	10.6	778	30.6	170	6.7		
XL	58.0	22.8	73.0	73.0	585	23.0	410	16.1	1015	40.0	270	10.6	809	31.9	200	7.9		

devinci



devinciIntelligence

DEVINCI.COM