

LEO 2

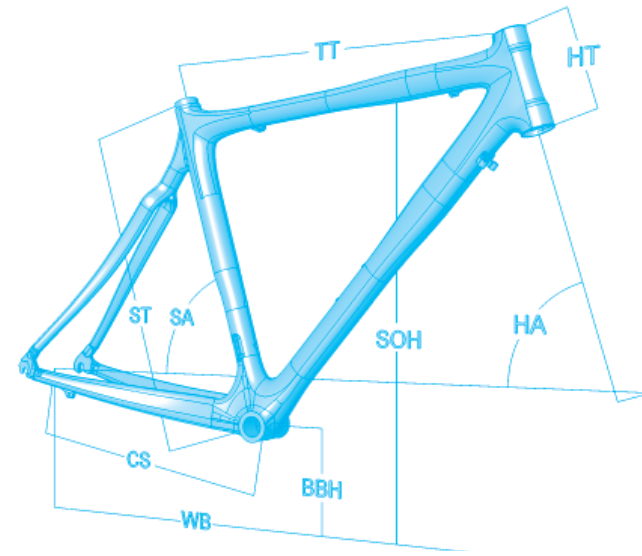


FRAME	LEO MONOCOQUE HM CARBON
SIZES	S - M - L - XL
FORK	DEVINCI MONOCOQUE 310
REAR SHOCK	-
SHOCK PUMP	-
HEADSET	TH NO. 16/CC
REAR DERAILLEUR	SHIMANO DURA-ACE 7800
FRONT DERAILLEUR	SHIMANO DURA-ACE 7800
CRANKSET	FSA K-FORCE MEGAEXO 53/39T
CHAIN GUIDE	-
FRONT SHIFTER	SHIMANO DURA-ACE 7800
REAR SHIFTER	SHIMANO DURA-ACE 7800
CASSETTE	DURA-ACE 10S 12-25T
CHAIN	SHIMANO DURA-ACE 7800
PEDALS	-
FRONT WHEEL	MAVIC KSYRIUM ES
REAR WHEEL	MAVIC KSYRIUM ES
TIRES	MAXXIS COURCHEVEL 700X23C 120TPI FOLDABLE
BRAKES	SHIMANO DURA-ACE 7800
STEM	V2 VECTOR 31.8MM
HANDLEBAR	V2 GYRO AEROBAR CARBON LAYER 31.8MM
GRIPS, TAPE	VELO GEL CORK
SADDLE	SELLE ITALIA SLR XP TRANS AM
SEATPOST	V2 FUSION SL CARBON 31.6MM

LEO MONOCOQUE HM CARBON

LEO 1, LEO 2, LEO 3

The LEO shares the geometric design and Optimum C6 monocoque construction of the Cx frame, but is even lighter thanks to the use of a very specific high-modulus carbon fibre. Higher-grade carbon means fewer layers are used in the manufacturing process, resulting in a 950g ultralight frame, without sacrificing its rigidity and vibration damping properties. Perfection is a featherlike two-wheeled machine called LEO.



	ST		SA		HA		TT		CS		WB		BBH		SOH		HT	
	cm	in	deg	deg	mm	in	mm	in	mm	in	mm	in	mm	in	mm	in	mm	in
S	45.0	17.7	75.0	72.0	520	20.5	410	16.1	978	38.5	270	10.6	706	27.8	120	4.7		
M	50.0	19.7	74.0	73.0	540	21.3	410	16.1	980	38.6	270	10.6	744	29.3	140	5.5		
L	54.0	21.2	73.5	73.0	560	22.0	410	16.1	995	39.2	270	10.6	778	30.6	170	6.7		
XL	58.0	22.8	73.0	73.0	585	23.0	410	16.1	1015	40.0	270	10.6	809	31.9	200	7.9		

devinci



devinciIntelligence

DEVINCI.COM