

# CARIBOU 2

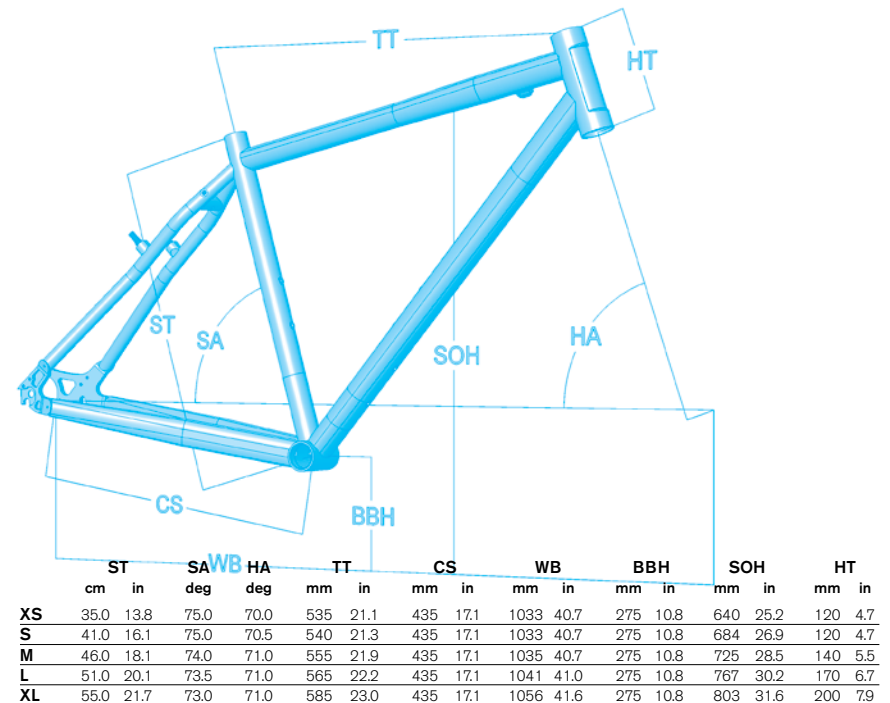


<b>FRAME</b>	CARIBOU
<b>SIZES</b>	XS - S - M - L - XL
<b>FORK</b>	DEVINCI CR-MO WITH DISC BRAKE HANGER
<b>REAR SHOCK</b>	-
<b>SHOCK PUMP</b>	-
<b>HEADSET</b>	TH NO. 16/CC
<b>REAR DERAILLEUR</b>	SHIMANO XT M761
<b>FRONT DERAILLEUR</b>	SHIMANO TIAGRA 4503
<b>CRANKSET</b>	TRUVATIV ELITA GXP 52/42/30T
<b>CHAIN GUIDE</b>	-
<b>FRONT SHIFTER</b>	SHIMANO TIAGRA 4500
<b>REAR SHIFTER</b>	SHIMANO TIAGRA 4500
<b>CASSETTE</b>	SHIMANO LX M580 9S 11-34T
<b>CHAIN</b>	SHIMANO HG73
<b>PEDALS</b>	WELLGO WAM M-18
<b>FRONT WHEEL</b>	SHIMANO M475 DISC / MAVIC A319 / DT SWISS CHAMPION
<b>REAR WHEEL</b>	SHIMANO M475 DISC / MAVIC A319 / DT SWISS CHAMPION
<b>TIRES</b>	KENDA KWICK ROLLER 700X28C REFLECTIVE / PUNCTURE RESISTANT
<b>BRAKES</b>	AVID BB7 160MM ROTOR MECHANICAL DISC
<b>STEM</b>	V2 PRO 31.8MM
<b>HANDLEBAR</b>	V2 GYRO ROADBAR 6061 BUTTED 31.8MM
<b>GRIPS, TAPE</b>	VELO GEL CORK
<b>SADDLE</b>	SELLE ITALIA XO TRANS AM
<b>SEATPOST</b>	V2 FUSION CARBON 272MM

## CARIBOU

CARIBOU 1, CARIBOU 2

Devinci touring bikes now benefit from the same technology used in our racing bikes. Crafted from Optimum 2 tubes, the frame is 30% stronger and has been built for utility and the transportation of heavy loads essential for touring trips. Experienced travelers know that comfort is the name of the game, which is why we added double bend stays to reduce saddle vibration. Plus, the frame has been designed to allow for disk brakes that provide optimal braking control without compromising the installation of a rear rack. If wide-open spaces are calling, then the Caribou is for you. The world is yours!



**devinci**



devinciIntelligence

DEVINCI.COM