

CARIBOU 1

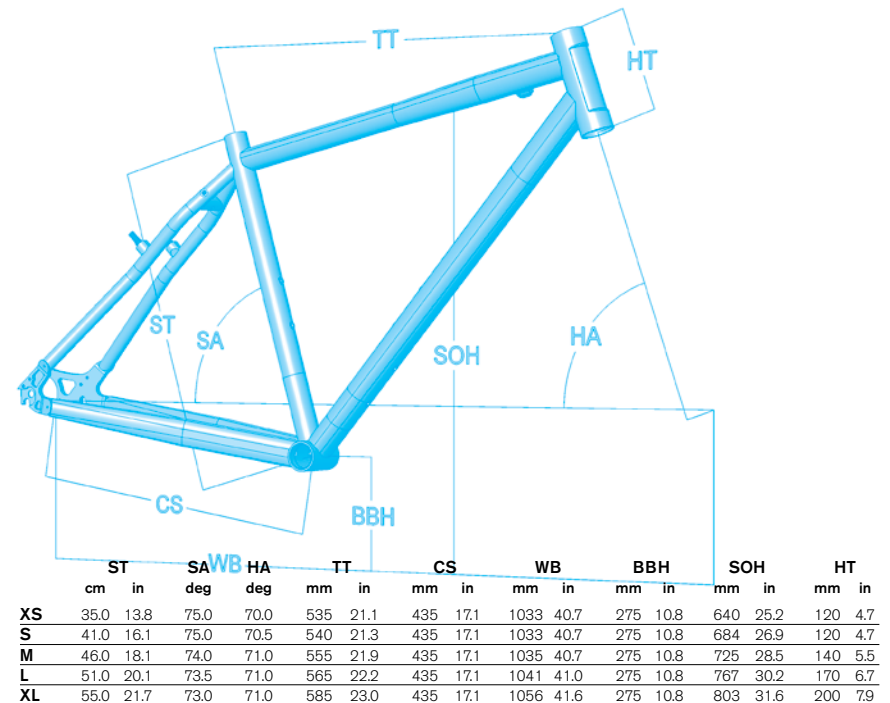


FRAME	CARIBOU
SIZES	XS - S - M - L - XL
FORK	DEVINCI CR-MO WITH DISC BRAKE HANGER
REAR SHOCK	-
SHOCK PUMP	-
HEADSET	TH IS-3E
REAR DERAILLEUR	SHIMANO LX M581
FRONT DERAILLEUR	SHIMANO TIAGRA 4503
CRANKSET	TRUVATIV TOURO 3.0 POWER SPLINE 52/42/30T
CHAIN GUIDE	-
FRONT SHIFTER	SHIMANO TIAGRA 4500
REAR SHIFTER	SHIMANO TIAGRA 4500
CASSETTE	SHIMANO HG50 9S 11-34T
CHAIN	SHIMANO HG53
PEDALS	WELLGO CLIPLESS WPD-M823
FRONT WHEEL	SHIMANO M475 DISC / MAVIC A319 / DT SWISS CHAMPION
REAR WHEEL	SHIMANO M475 DISC / MAVIC A319 / DT SWISS CHAMPION
TIRES	KENDA KWICK ROLLER 700X28C REFLECTIVE / PUNCTURE RESISTANT
BRAKES	TEKTRO ORYX 992AG
STEM	FSA OS-190LX 31.8MM
HANDLEBAR	V2 GYRO ROADBAR 6061 BUTTED 31.8MM
GRIPS, TAPE	VELO GEL CORK
SADDLE	SELLE ITALIA XO TRANS AM
SEATPOST	FSA SL-280 27.2MM

CARIBOU

CARIBOU 1, CARIBOU 2

Devinci touring bikes now benefit from the same technology used in our racing bikes. Crafted from Optimum 2 tubes, the frame is 30% stronger and has been built for utility and the transportation of heavy loads essential for touring trips. Experienced travelers know that comfort is the name of the game, which is why we added double bend stays to reduce saddle vibration. Plus, the frame has been designed to allow for disk brakes that provide optimal braking control without compromising the installation of a rear rack. If wide-open spaces are calling, then the Caribou is for you. The world is yours!



devinci



devinciIntelligence

DEVINCI.COM