

HECTIK 2

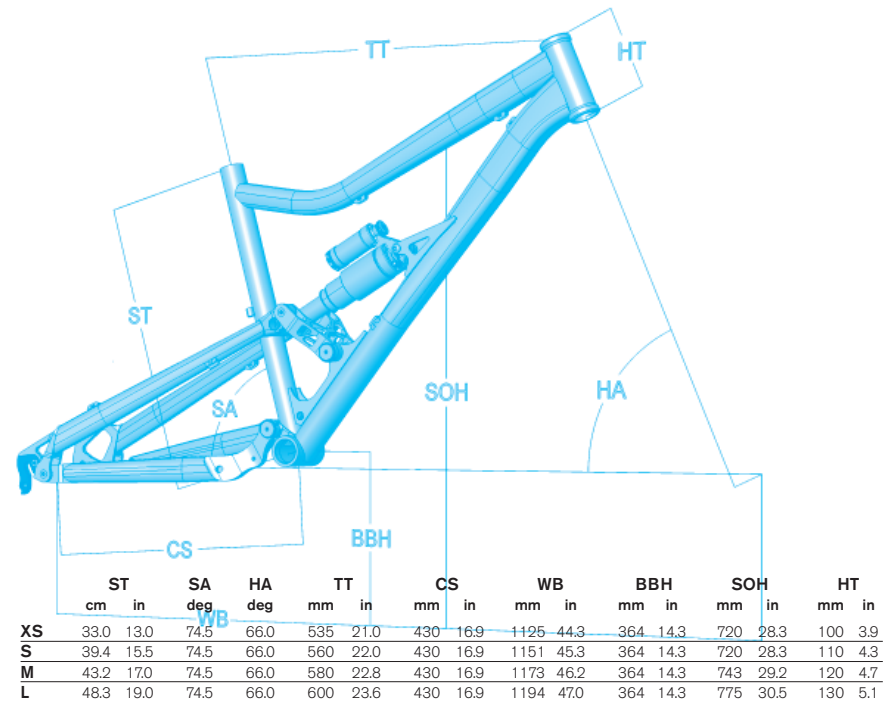


| | |
|------------------------|--|
| FRAME | HECTIK |
| SIZES | XS - S - M - L |
| FORK | FOX 36 FLOAT R 160MM |
| REAR SHOCK | FOX DHX AIR 3.0 |
| SHOCK PUMP | DEVINCI HIGH PRESSURE |
| HEADSET | FSA ORBIT MX |
| REAR DERAILEUR | SRAM X.9 |
| FRONT DERAILEUR | SRAM X.7 |
| CRANKSET | RACE FACE RIDE XC X-TYPE 36/24T |
| CHAIN GUIDE | - |
| FRONT SHIFTER | SRAM X.7 |
| REAR SHIFTER | SRAM X.7 |
| CASSETTE | SRAM POWER GLIDE II 950 9S 11-32T |
| CHAIN | SRAM PC-950 |
| PEDALS | DAREDEVIL FLAT |
| FRONT WHEEL | DAREDEVIL / MACH 1 2.30 / DT SWISS CHAMPION |
| REAR WHEEL | DAREDEVIL DISC / MACH 1 2.30 / DT SWISS CHAMPION |
| TIRES | MAXXIS HI-ROLLER 26X2.35" FOLDABLE |
| BRAKES | AVID JUICY 5 185MM ROTOR HYDRAULIC DISC |
| STEM | DAREDEVIL AM 31.8MM |
| HANDLEBAR | DAREDEVIL XC RISERBAR 31.8MM |
| GRIPS, TAPE | VELO LOCK-ON |
| SADDLE | DAREDEVIL AM |
| SEATPOST | DAREDEVIL XC 31.6MM |

HECTIK

HECTIK 1, HECTIK 2, HECTIK 3

While our other models may be designed for winning or competing, the Hectik has only one thing on its mind—unadulterated fun! Whether you're climbing the toughest trails, pinning epic single track, or railing down technical steeps, with this bike, you'll take on anything... and you'll have a blast doing it. With Devinci's proprietary Optimum X-2 tubes, a striking 3D web linkage system, and 165mm of push rear travel, the Hectik is a bike for every season and every vibe.



devinci



devinciIntelligence

DEVINCI.COM