

# CAMELEON 3

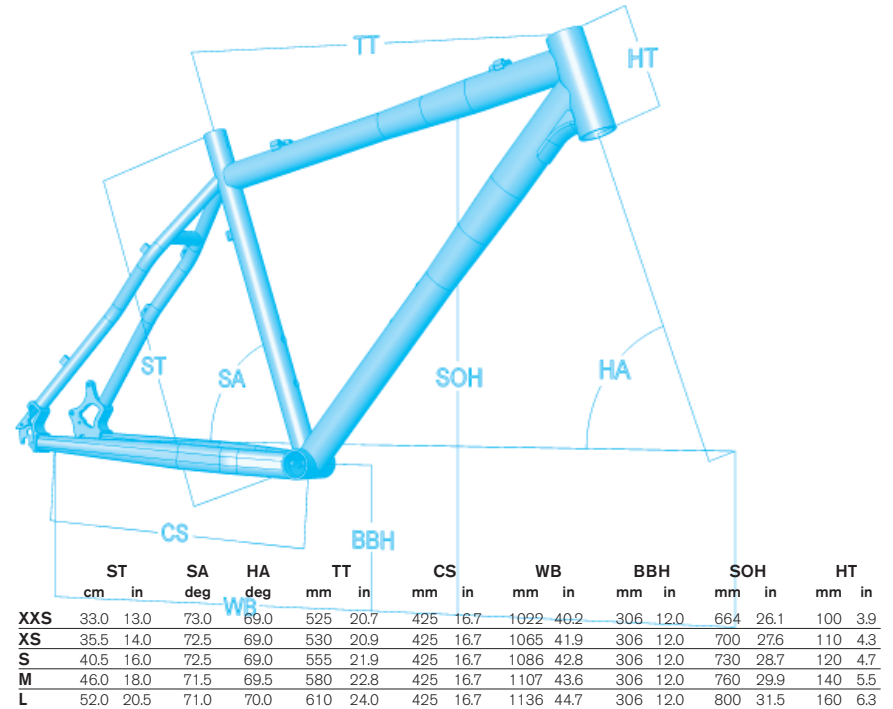


<b>FRAME</b>	CAMELEON
<b>SIZES</b>	XXS - XS - S - M - XL
<b>FORK</b>	ROCK SHOX DART 1 100MM
<b>REAR SHOCK</b>	-
<b>SHOCK PUMP</b>	-
<b>HEADSET</b>	TH NO.11
<b>REAR DERAILLEUR</b>	SRAM SX-5
<b>FRONT DERAILLEUR</b>	SHIMANO ALIVIO M411
<b>CRANKSET</b>	TRUVATIV ISOFLOW POWER SPLINE 42/32/22T
<b>CHAIN GUIDE</b>	-
<b>FRONT SHIFTER</b>	SRAM SX-5
<b>REAR SHIFTER</b>	SRAM SX-5
<b>CASSETTE</b>	SRAM POWER GLIDE II 950 9S 11-32T
<b>CHAIN</b>	SRAM PC-950
<b>PEDALS</b>	WELLGO LU-A18
<b>FRONT WHEEL</b>	SHIMANO M475 DISC / ALEX X2100 / DT SWISS CHAMPION
<b>REAR WHEEL</b>	SHIMANO M475 DISC / ALEX X2100 / DT SWISS CHAMPION
<b>TIRES</b>	KENDA KARMA 26X2.0"
<b>BRAKES</b>	HAYES MX-4 XC 160MM ROTOR MECHANICAL DISC
<b>STEM</b>	DEVINCI 4 BOLT
<b>HANDLEBAR</b>	HL MT-153 RISERBAR
<b>GRIPS, TAPE</b>	VELO KRATON
<b>SADDLE</b>	DEVINCI DOUBLE DENSITY
<b>SEATPOST</b>	DEVINCI MICRO ADJUST 27.2MM

## CAMELEON

CAMELEON 1, CAMELEON 2, CAMELEON 3, CAMELEON 4

The Cameleon is a versatile, hardtail bike that screams good value for money. It has everything one has come to expect of a Devinci, with Optimum tubes, reinforced head tube, and astounding strength to weight ratio, but at a remarkably low price. Tough, yet incredibly light, it dominates the rocks and roots on technical trails, withstanding years of punishment. Your friend for life.



devinci



devinciIntelligence

DEVINCI.COM