



06

- FV6030201** Small
- FV6030301** Medium
- FV6030401** Large
- FV6030501** XLarge



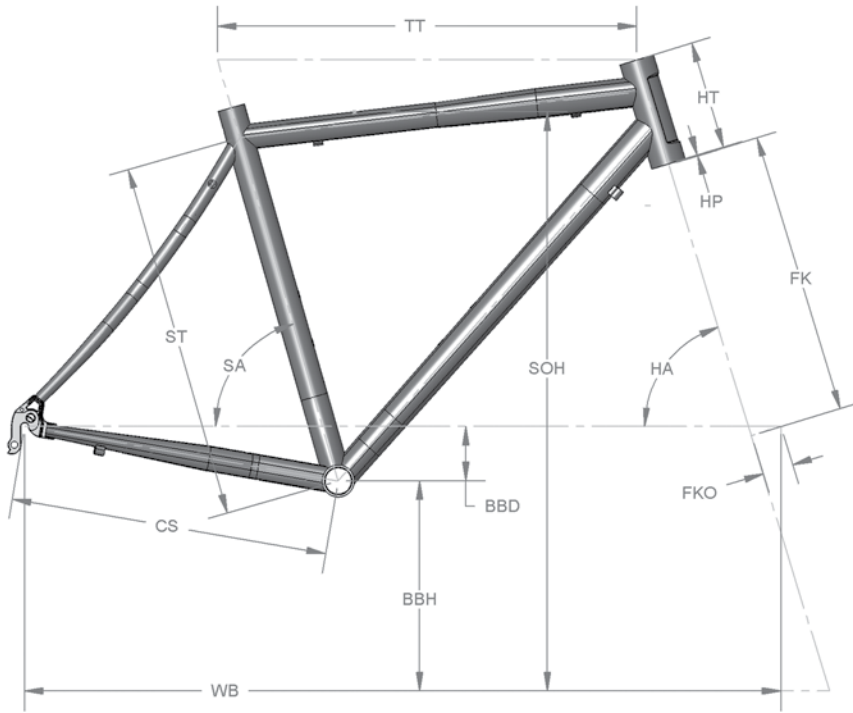
SPECIFICATIONS

Frame	Optimum 2 road frame
Color	Pearled White / Solar Yellow
Available Sizes	s-m-l-xl
Weight	9.1 kg / 20 lb
Fork	Devinci Carbon As aluminum steerer
Rear Shock	-
Headset	TH Industries IS-3E
Rear Derailleur	Shimano 105 5501
Front Derailleur	Shimano 105 5501
Crankset	Compact Truvativ Elita GXP 50/36T
Chainguide	-
Shifters	Shimano 105 5510
Cassette	Shimano HG50 9s 13-25T
Chain	Shimano HG53
Bottom Bracket	Truvativ GXP
Pedals	Wellgo clipless
Front Hub	-
Rear Hub	-
Rims	-
Spokes	-
Wheels	Shimano R500
Tires	Michelin Dynamic 700x23C
Brakes	Promax dual pivot
Brake Levers	Shimano 105 5510
Stem	Ritchey 31.8mm
Handlebar	V2 Gyro roadbar 6061 butted 31.8mm
Grips / Tape	Cork with gel
Saddle	Selle Italia FK trans am
Seat Post	V2 Fusion carbon 31.6mm
Seat Collar	Devinci bolt

Notes



OPTIMUM 2 ROAD FRAME



FRAME TECHNICAL SPECIFICATIONS

Seat post diameter	31,6 mm
Seat collar diameter	34,9 mm
Headset diameter	1 1/8"
Headset type	Integrated
Fork type	Rigid
Brake type	Caliper
Front derailleur diameter	34,9 mm
Front derailleur cable route	Bottom
Front derailleur type	Down-swing
Bottom bracket shell width	68 mm
Freehub width	130 mm
Shock length	NA
Shock travel	NA
Shock pivot width top	NA
Shock pivot width bottom	NA
Shock bolt diameter	NA
Rear wheel travel	NA
Tire maximum clearance	700 - 25
Rear derailleur hanger type	MFD205
Rear rack eyelet	Dropout-Seatstay
Fender eyelet	NA
Weight	1,22 kg / 2.68 lb

FRAME GEOMETRY

	ST		SA		HA		TT		CS		WB		BBH		SOH		HT		BBD		FK		FKO		HP	
	cm	in	deg	deg	mm	in	mm	in	mm	in	mm	in	mm	in	mm	in	mm	in	mm	in	mm	in	mm	in	mm	in
S	38.0	15.0	75.0	72.0	520.0	20.5	410.0	16.1	970.0	38.2	270.0	10.6	688.0	27.1	120.0	4.7	70.0	2.8	365.0	14.4	40.0	1.6	1.0	0.0		
M	43.0	16.9	74.0	73.0	540.0	21.3	410.0	16.1	974.0	38.3	270.0	10.6	744.0	29.3	140.0	5.5	70.0	2.8	365.0	14.4	40.0	1.6	1.0	0.0		
L	48.0	18.9	73.5	73.0	560.0	22.0	410.0	16.1	990.0	39.0	270.0	10.6	765.0	30.1	170.0	6.7	70.0	2.8	365.0	14.4	40.0	1.6	1.0	0.0		
XL	52.0	20.5	73.0	73.0	585.0	23.0	410.0	16.1	1009.0	39.7	270.0	10.6	799.0	31.5	200.0	7.9	70.0	2.8	365.0	14.4	40.0	1.6	1.0	0.0		

SIZING CHART

Height (cm)	144	146	148	150	152	154	157	159	161	163	165	168	170	172	174	176	178	180	182	184	186	188	190	192	194	196	198	200	202
Inseam (cm)	68	69	70	71	72	73	74	75	76	77	78	79	80	81	82	83	84	85	86	87	88	89	90	91	92	93	94	95	96
S																													
M																													
L																													
XL																													
Height (inch)	4'8"	4'10"	4'11"	4'11"	5'0"	5'1"	5'1"	5'2"	5'3"	5'4"	5'5"	5'6"	5'7"	5'7"	5'8"	5'9"	5'10"	5'11"	6'0"	6'0"	6'1"	6'2"	6'3"	6'4"	6'5"	6'5"	6'6"	6'7"	6'7"
Inseam (inch)	26 3/4	27 1/4	27 1/2	28	28 1/4	28 3/4	29 1/4	29 1/2	30	30 1/4	30 3/4	31	31 1/2	32	32 1/4	32 3/4	33	33 1/2	33 3/4	34 1/4	34 3/4	35	35 1/2	35 3/4	36 1/4	36 1/2	37	37 1/2	37 3/4

TO MEASURE INSEAM

You must be standing on a hard surface, in bare feet (or light cycling socks). Ideally, you will be wearing cycling shorts or long tights.

Place the feet so the medial ankle bones are approximately 5 cm apart. This can easily be gauged by slipping the width of the measuring tape case between the ankle bones.

The metric tape should be centered in the crotch. With the tape firmly in the crotch, pull with about the same pressure that you would feel if you were sitting on a bicycle seat. Pull the measuring tape to the floor for the inseam measurement.

TO MEASURE HEIGHT

You must be standing on a hard surface, in bare feet (or light cycling socks).

Place the feet so the medial ankle bones are approximately 5 cm apart. This can easily be gauged by slipping the width of the measuring tape case between the ankle bones.

