

> DESPERADO



Cycles Devinci >>>

Cross-Country

- 06 FV6720101 XSmall
 FV6720201 Small
 FV6720301 Medium
 FV6720401 Large
 FV6720501 XLarge



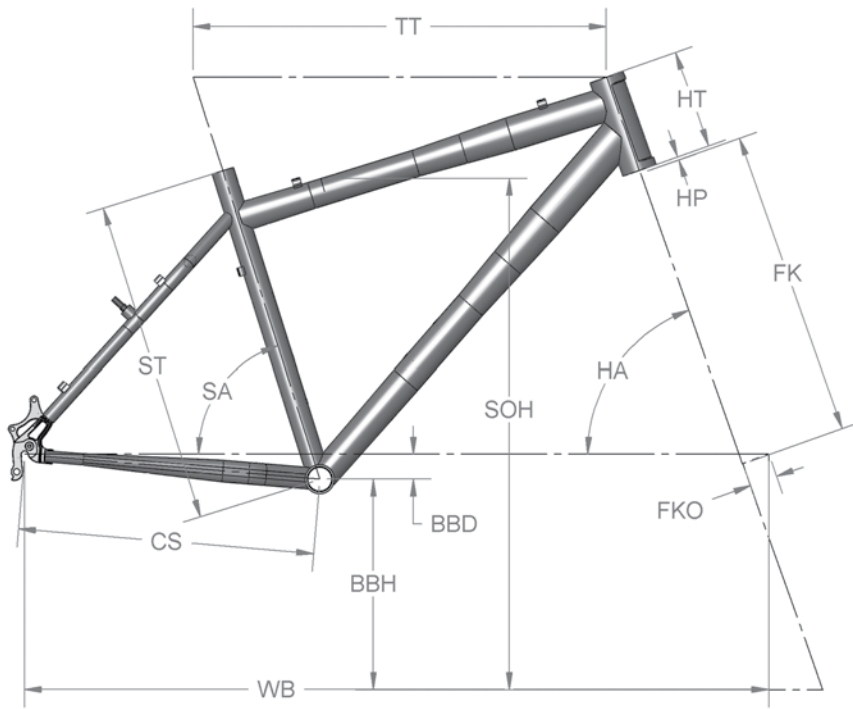
SPECIFICATIONS

Frame	Optimum 61 cross-country frame
Color	Pearled White
Available Sizes	xs-s-m-l-xl
Weight	11.1 kg / 24.4 lb
Fork	Rock Shox SID Team 80mm pop lock remote
Rear Shock	-
Headset	FSA Orbit MX
Rear Derailleur	Shimano Deore XT M760
Front Derailleur	Shimano Deore XT M761
Crankset	Shimano Deore XT M760 44/32/22T
Chainguide	-
Shifters	Shimano Deore XT M765
Cassette	Shimano Deore XT M760 9s 11-32T
Chain	Shimano HG73
Bottom Bracket	Shimano Deore XT M760
Pedals	Crank Brother Egg beater C
Front Hub	-
Rear Hub	-
Rims	-
Spokes	-
Wheels	Mavic Crossland disc
Tires	Michelin Comp S Light tubeless 26x2.0"
Brakes	Shimano Deore XT M765 6" hydraulic disc
Brake Levers	Shimano Deore XT M765
Stem	V2 Pro 31.8mm
Handlebar	V2 Gyro flatbar butted 6061 31.8mm
Grips / Tape	Gel lock-on
Saddle	Selle Italia X2 trans am special edition
Seat Post	V2 Pro 27.2mm
Seat Collar	Devinci quick release

Notes



OPTIMUM 61 CROSS-COUNTRY FRAME



FRAME TECHNICAL SPECIFICATIONS

Seat post diameter	27.2 mm
Seat collar diameter	31.8 mm
Headset diameter	1 1/8"
Headset type	Semi-integrated
Fork type	80 to 100 mm
Brake type	"V-Brake"-Disk
Front derailleur diameter	31.8 mm
Front derailleur cable route	Top
Front derailleur type	Down-swing
Bottom bracket shell width	73 mm
Freehub width	135 mm
Shock length	NA
Shock travel	NA
Shock pivot width top	NA
Shock pivot width bottom	NA
Shock bolt diameter	NA
Rear wheel travel	NA
Tire maximum clearance	26 x 2.1
Rear derailleur hanger type	MFD205
Rear rack eyelet	NA
Fender eyelet	NA
Weight	1.43 kg / 3.15 lb

FRAME GEOMETRY

	ST		SA		HA		TT		CS		WB		BBH		SOH		HT		BBD		FK		FKO		HP			
	cm	in	deg	deg	mm	in	mm	in	mm	in	mm	in	mm	in	mm	in	mm	in	mm	in	mm	in	mm	in	mm	in		
XS	35.5	14.0	74.0	69.5	533.0	21.0	420.0	16.5	1043.0	41.1	294.0	11.6	674.0	26.5	110.0	4.3	35.0	1.4	435.0	17.1	39.0	1.5	5.0	0.2				
S	40.6	16.0	73.5	70.0	559.0	22.0	420.0	16.5	1043.0	41.1	294.0	11.6	700.0	27.6	120.0	4.7	35.0	1.4	435.0	17.1	39.0	1.5	5.0	0.2				
M	45.7	18.0	72.5	70.5	584.0	23.0	420.0	16.5	1054.0	41.5	294.0	11.6	733.0	28.9	140.0	5.5	35.0	1.4	435.0	17.1	39.0	1.5	5.0	0.2				
L	50.8	20.0	72.0	71.0	610.0	24.0	420.0	16.5	1069.0	42.1	294.0	11.6	767.0	30.2	160.0	6.3	35.0	1.4	435.0	17.1	39.0	1.5	5.0	0.2				
XL	55.9	22.0	71.5	71.5	629.0	24.8	420.0	16.5	1077.0	42.4	294.0	11.6	800.0	31.5	180.0	7.1	35.0	1.4	435.0	17.1	39.0	1.5	5.0	0.2				

SIZING CHART

	144	146	148	150	152	154	157	159	161	163	165	168	170	172	174	176	178	180	182	184	186	188	190	192	194	196	198	200	202	
Inseam (cm)	68	69	70	71	72	73	74	75	76	77	78	79	80	81	82	83	84	85	86	87	88	89	90	91	92	93	94	95	96	
XS																														
S																														
M																														
L																														
XL																														
Height (inch)	4'8"	4'10"	4'11"	4'11"	5'0"	5'1"	5'1"	5'2"	5'3"	5'4"	5'5"	5'6"	5'7"	5'7"	5'8"	5'9"	5'10"	5'11"	6'0"	6'0"	6'1"	6'2"	6'3"	6'4"	6'5"	6'5"	6'6"	6'7"	6'7"	
Inseam (inch)	26 3/4	27 1/4	27 3/4	28	28 1/4	28 3/4	29 1/4	29 1/2	30	30 1/4	30 3/4	31	31 1/2	32	32 1/4	32 3/4	33	33 1/2	33 3/4	34 1/4	34 3/4	35	35 1/2	35 3/4	36 1/4	36 3/4	37	37 1/2	37 3/4	

TO MEASURE INSEAM

You must be standing on a hard surface, in bare feet (or light cycling socks). Ideally, you will be wearing cycling shorts or long tights.

Place the feet so the medial ankle bones are approximately 5 cm apart. This can easily be gauged by slipping the width of the measuring tape case between the ankle bones.

The metric tape should be centered in the crotch. With the tape firmly in the crotch, pull with about the same pressure that you would feel if you were sitting on a bicycle seat. Pull the measuring tape to the floor for the inseam measurement.

TO MEASURE HEIGHT

You must be standing on a hard surface, in bare feet (or light cycling socks).

Place the feet so the medial ankle bones are approximately 5 cm apart. This can easily be gauged by slipping the width of the measuring tape case between the ankle bones.

