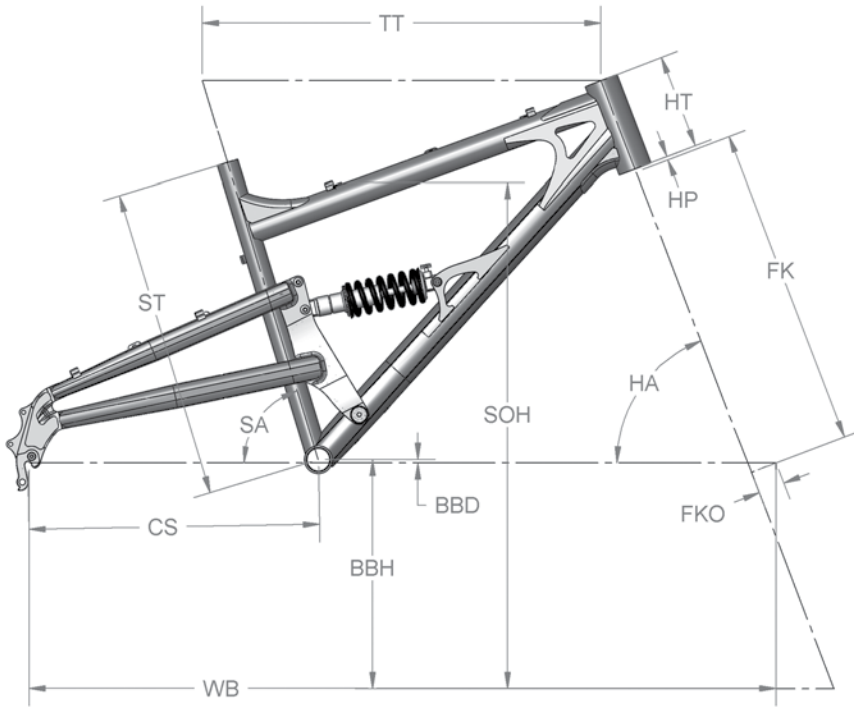


SGX 61 DUAL SUSPENSION SPORT MOUNTAIN FRAME



FRAME TECHNICAL SPECIFICATIONS

Seat post diameter	27.2 mm
Seat collar diameter	31.8 mm
Headset diameter	1 1/8"
Headset type	Semi-integrated
Fork type	100 mm to 150 mm
Brake type	Disc
Front derailleur diameter	31.8 mm
Front derailleur cable route	Top
Front derailleur type	Top-swing
Bottom bracket shell width	73 mm
Freehub width	135 mm
Shock length	200 mm
Shock travel	50 mm
Shock pivot width top	42.2 mm
Shock pivot width bottom	42.2 mm
Shock bolt diameter	8 mm
Rear wheel travel	125 mm / 145 mm
Tire maximum clearance	26 x 2.35
Rear derailleur hanger type	MFD205
Rear rack eyelet	NA
Fender eyelet	NA
Weight	2.85 kg / 6.3 lb

FRAME GEOMETRY

	ST		SA		HA		TT		CS		WB		BBH		SOH		HT		BBD		FK		FKO		HP		
	cm	in	deg	deg	mm	in	mm	in	mm	in	mm	in	mm	in	mm	in	mm	in	mm	in	mm	in	mm	in	mm	in	
XS	38.0	15.0	72.0	67.5	540.0	21.3	430.0	16.9	1069.0	42.1	349.0	13.7	718.0	28.3	110.0	4.3	14.0	0.6	500.0	19.7	39.0	1.5	5.0	0.2			
S	42.0	16.5	72.0	67.5	565.0	22.2	430.0	16.9	1095.0	43.1	349.0	13.7	726.0	28.6	120.0	4.7	14.0	0.6	500.0	19.7	39.0	1.5	5.0	0.2			
M	46.0	18.1	72.0	68.0	590.0	23.2	430.0	16.9	1121.0	44.1	349.0	13.7	756.0	29.8	140.0	5.5	14.0	0.6	500.0	19.7	39.0	1.5	5.0	0.2			
L	49.5	19.5	72.0	68.5	615.0	24.2	430.0	16.9	1137.0	44.8	349.0	13.7	785.0	30.9	160.0	6.3	14.0	0.6	500.0	19.7	39.0	1.5	5.0	0.2			

SIZING CHART

Height (cm)	144	146	148	150	152	154	157	159	161	163	165	168	170	172	174	176	178	180	182	184	186	188	190	192	194	196	198	200	202	
Inseam (cm)	68	69	70	71	72	73	74	75	76	77	78	79	80	81	82	83	84	85	86	87	88	89	90	91	92	93	94	95	96	
XS																														
S																														
M																														
L																														
Height (inch)	4'8"	4'10"	4'11"	4'11"	5'0"	5'1"	5'1"	5'2"	5'3"	5'4"	5'5"	5'6"	5'7"	5'7"	5'8"	5'9"	5'10"	5'11"	6'0"	6'0"	6'1"	6'2"	6'3"	6'4"	6'5"	6'5"	6'6"	6'7"	6'7"	
Inseam (inch)	26 3/4	27 1/4	27 3/4	28	28 1/4	28 3/4	29 1/4	29 1/2	30	30 1/4	30 3/4	31	31 1/2	32	32 1/4	32 3/4	33	33 1/2	33 3/4	34 1/4	34 3/4	35	35 1/2	35 3/4	36 1/4	36 3/4	37	37 1/2	37 3/4	

TO MEASURE INSEAM

You must be standing on a hard surface, in bare feet (or light cycling socks). Ideally, you will be wearing cycling shorts or long tights.

Place the feet so the medial ankle bones are approximately 5 cm apart. This can easily be gauged by slipping the width of the measuring tape case between the ankle bones.

The metric tape should be centered in the crotch. With the tape firmly in the crotch, pull with about the same pressure that you would feel if you were sitting on a bicycle seat. Pull the measuring tape to the floor for the inseam measurement.

TO MEASURE HEIGHT

You must be standing on a hard surface, in bare feet (or light cycling socks).

Place the feet so the medial ankle bones are approximately 5 cm apart. This can easily be gauged by slipping the width of the measuring tape case between the ankle bones.

