

> 8 FLAT 8



Cycles Devinci >>>

Downhill

- 06** FV6660201 Small
- FV6660301 Medium
- FV6660401 Large



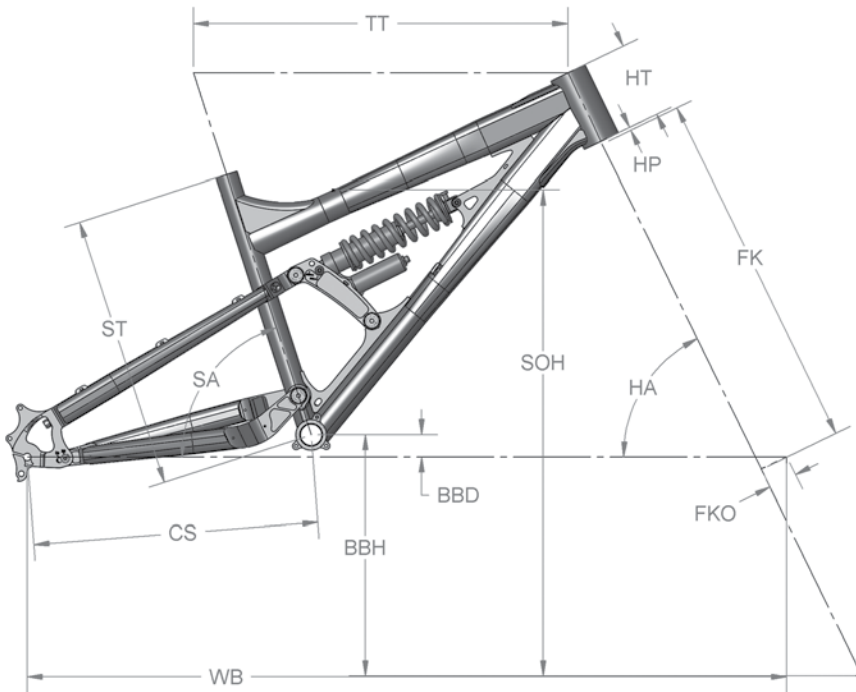
SPECIFICATIONS

Frame	Optimum X dual suspension downhill frame
Color	Ferrari Red
Available Sizes	s-m-l
Weight	20.7 kg / 45.5 lb
Fork	Marzocchi 888VF 200mm
Rear Shock	Fox DHX 3.0
Headset	FSA Orbit Z1.5R
Rear Derailleur	Sram X.9
Front Derailleur	-
Crankset	Race Face Evolve DH X-type 40T
Chainguide	e13 SRS
Shifters	Sram X.7
Cassette	Sram PG-950 9s 11-32T
Chain	Sram PC-950
Bottom Bracket	Race Face X-type
Pedals	Daredevil Flat
Front Hub	Daredevil X 20mm disc
Rear Hub	Daredevil X disc w/ Devinci 7075 thru axle
Rims	Mavic EX325 disc
Spokes	DT Swiss Champion w/ Prolock nipple
Wheels	-
Tires	Tomac Blue Groove Stick-E 26x2.7" & 26x2.5"
Brakes	Hayes 9 HD 8" hydraulic disc
Brake Levers	Hayes 9
Stem	Race Face Evolve DH 31.8mm
Handlebar	Daredevil riserbar 40mm butted 6061 31.8mm
Grips / Tape	Gel lock-on
Saddle	Daredevil FR Cr-Mo
Seat Post	Daredevil 31.6mm
Seat Collar	Devinci quick release

Notes



OPTIMUM X DUAL SUSPENSION DOWNHILL FRAME



FRAME TECHNICAL SPECIFICATIONS

Seat post diameter	31.6 mm
Seat collar diameter	34.9 mm
Headset diameter	1 1/8" (1.5" Compatible)
Headset type	Semi-integrated
Fork type	200 mm
Brake type	Disk
Front derailleur diameter	NA
Front derailleur cable route	NA
Front derailleur type	NA
Bottom bracket shell width	83 mm
Freehub width	150 mm
Shock length	240 mm
Shock travel	75 mm
Shock pivot width top	25.4 mm
Shock pivot width bottom	42.2 mm
Shock bolt diameter	8 mm
Rear wheel travel	180 mm / 215 mm
Tire maximum clearance	26 x 2.8
Rear derailleur hanger type	MFD420 / MFD421
Rear rack eyelet	NA
Fender eyelet	NA
Weight	3.86 kg / 8.5 lb

FRAME GEOMETRY

	ST		SA		HA		TT		CS		WB		BBH		SOH		HT		BBD		FK		FKO		HP		
	cm	in	deg	deg	mm	in	mm	in	mm	in	mm	in	mm	in	mm	in	mm	in	mm	in	mm	in	mm	in	mm	in	
S	38.0	15.0	72.0	64.0	565.0	22.2	449.0	17.7	1173.0	46.2	380.0	15.0	767.0	30.2	120.0	4.7	35.0	1.4	571.0	22.5	45.0	1.8	5.0	0.2			
M	43.2	17.0	72.0	64.0	591.0	23.3	449.0	17.7	1198.0	47.2	380.0	15.0	767.0	30.2	120.0	4.7	35.0	1.4	571.0	22.5	45.0	1.8	5.0	0.2			
L	43.2	17.0	72.0	64.0	616.0	24.3	449.0	17.7	1220.0	48.0	380.0	15.0	767.0	30.2	120.0	4.7	35.0	1.4	571.0	22.5	45.0	1.8	5.0	0.2			

SIZING CHART

Height (cm)	144	146	148	150	152	154	157	159	161	163	165	168	170	172	174	176	178	180	182	184	186	188	190	192	194	196	198	200	202	
Inseam (cm)	68	69	70	71	72	73	74	75	76	77	78	79	80	81	82	83	84	85	86	87	88	89	90	91	92	93	94	95	96	
S																														
M																														
L																														
Height (inch)	4'8"	4'10"	4'11"	4'11"	5'0"	5'1"	5'1"	5'2"	5'3"	5'4"	5'5"	5'6"	5'7"	5'7"	5'8"	5'9"	5'10"	5'11"	6'0"	6'0"	6'1"	6'2"	6'3"	6'4"	6'5"	6'5"	6'6"	6'7"	6'7"	
Inseam (inch)	26 3/4	27 1/4	27 3/4	28	28 1/4	28 3/4	29 1/4	29 1/2	30	30 1/4	30 3/4	31	31 1/2	32	32 1/4	32 3/4	33	33 1/2	33 3/4	34 1/4	34 3/4	35	35 1/2	35 3/4	36 1/4	36 3/4	37	37 1/2	37 3/4	

TO MEASURE INSEAM

You must be standing on a hard surface, in bare feet (or light cycling socks). Ideally, you will be wearing cycling shorts or long tights.

Place the feet so the medial ankle bones are approximately 5 cm apart. This can easily be gauged by slipping the width of the measuring tape case between the ankle bones.

The metric tape should be centered in the crotch. With the tape firmly in the crotch, pull with about the same pressure that you would feel if you were sitting on a bicycle seat. Pull the measuring tape to the floor for the inseam measurement.

TO MEASURE HEIGHT

You must be standing on a hard surface, in bare feet (or light cycling socks).

Place the feet so the medial ankle bones are approximately 5 cm apart. This can easily be gauged by slipping the width of the measuring tape case between the ankle bones.

