

REMIX SL 4

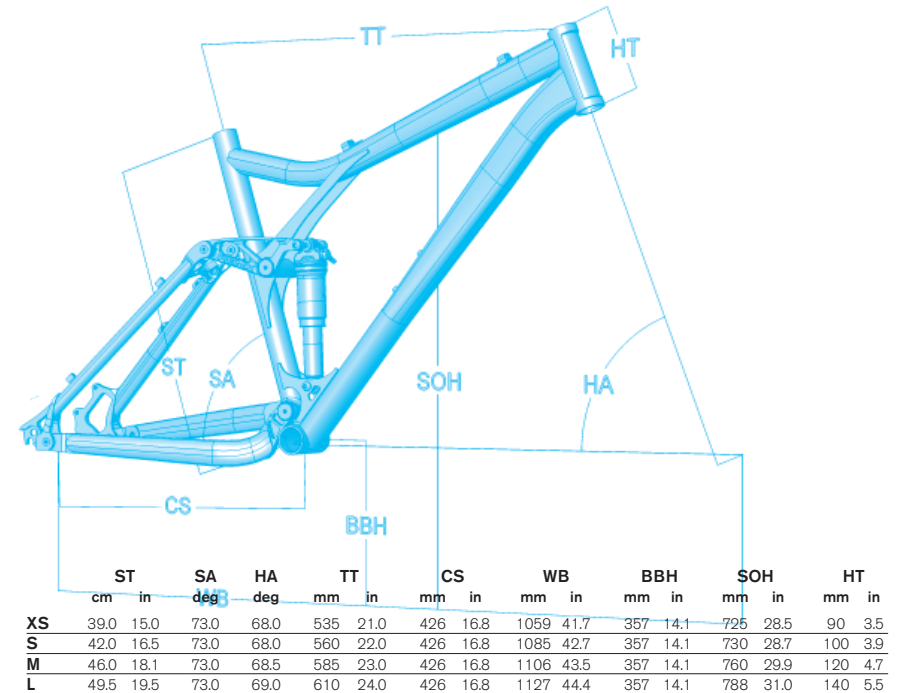


FRAME	REMIX SL
SIZES	XS - S - M - L
FORK	ROCK SHOX REVELATION 426 DUAL AIR 130MM
REAR SHOCK	FOX FLOAT R
SHOCK PUMP	DEVINCI HIGH PRESSURE
HEADSET	FSA ORBIT MX
REAR DERAILLEUR	SRAM X.9
FRONT DERAILLEUR	SRAM X.7
CRANKSET	RACE FACE RIDE XC X-TYPE 44/32/22T
CHAIN GUIDE	-
FRONT SHIFTER	SRAM X.9
REAR SHIFTER	SRAM X.9
CASSETTE	SRAM POWER GLIDE II 970 9S 11-32T
CHAIN	SRAM PC-950
PEDALS	CRANK BROTHERS SMARTY
FRONT WHEEL	MAVIC CROSSRIDE DISC
REAR WHEEL	MAVIC CROSSRIDE DISC
TIRES	MAXXIS IGNITOR 26X2.1" 120TPI FOLDABLE
BRAKES	AVID JUICY 5 160MM ROTOR HYDRAULIC DISC
STEM	DAREDEVIL AM 31.8MM
HANDLEBAR	DAREDEVIL XC RISERBAR 31.8MM
GRIPS, TAPE	VELO LOCK-ON
SADDLE	DAREDEVIL AM
SEATPOST	DAREDEVIL XC 31.6MM

REMIX SL

REMIX SL 3, REMIX SL 4, REMIX SL 5

The Remix SL is arguably Devinci's most robust and versatile model on the market. Lightweight (275g lighter than the Remix 2006), responsive, fast, and equipped with excellent suspension, it's a survivor made for long-distance endurance. Thanks to the new thru-axle pivots mounted on our trusty needle bearings, and our innovative suspension configuration, it eliminates pedal bobbing and offers rigidity like never before. This is a beast of a machine—a two-wheeled all-terrain vehicle that can tackle anything nature throws its way.



DEVINCI



devinciIntelligence

DEVINCI.COM