

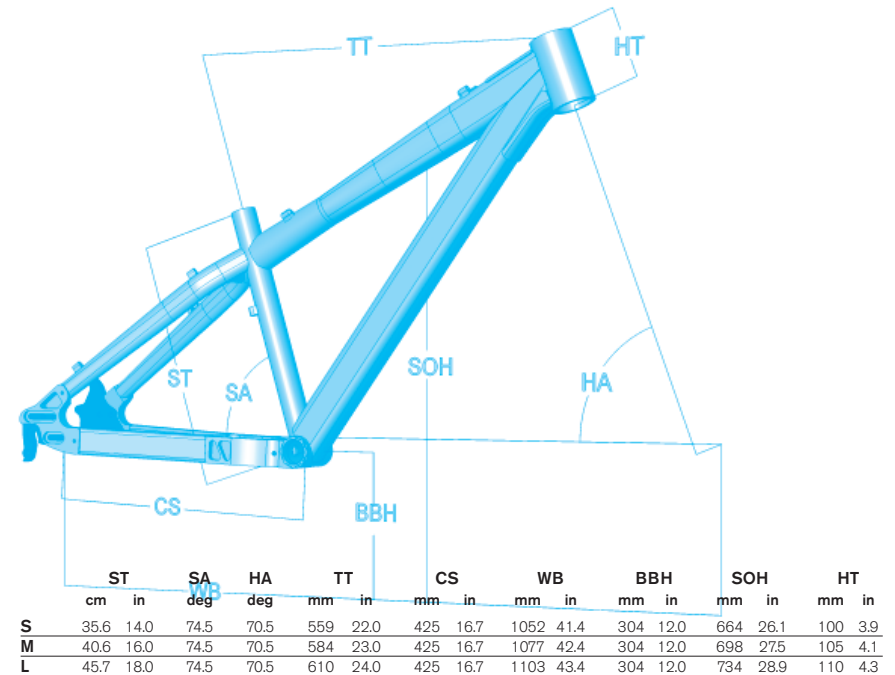
HUCKER



FRAME	HUCKER
SIZES	S - M - L
FORK	MARZOCCHI DROP-OFF IV 130MM
REAR SHOCK	-
SHOCK PUMP	-
HEADSET	FSA BIG FAT PIG R
REAR DERAILLEUR	SRAM X.7
FRONT DERAILLEUR	SRAM X GENERATION
CRANKSET	TRUVATIV HUSSEFELT HOTWITZER 2.0 36/24T
CHAIN GUIDE	-
FRONT SHIFTER	SRAM X.7
REAR SHIFTER	SRAM X.7
CASSETTE	SRAM POWER GLIDE II 950 9S 11-32T
CHAIN	SRAM PC-950
PEDALS	WELLGO LU-A54D
FRONT WHEEL	SHIMANO M475 DISC / ALEX DM24 / DT SWISS CHAMPION
REAR WHEEL	SHIMANO M475 DISC / ALEX DM24 / DT SWISS CHAMPION
TIRES	TOMAC BLUE GROOVE 26X2.5"
BRAKES	HAYES 9 203MM ROTOR HYDRAULIC DISC
STEM	TRUVATIV HUSSEFELT
HANDLEBAR	DAREDEVIL RISERBAR 40MM BUTTED 6061 31.8MM
GRIPS, TAPE	VELO LOCK-ON
SADDLE	DAREDEVIL FR
SEATPOST	TRUVATIV XR 31.6MM

HUCKER HUCKER

It isn't bragging if you can do it. At Devinci, we don't like to boast, but this freeride hardtail has never been returned under warranty. Ever. Tougher than tough, the Huckler is nearly impossible to break—and don't think our riders haven't tried! Designed with Optimum X tubing and a one point five standard compatible head tube, its slack angles are perfect for freeriding, dirt jumping, and general mayhem. If you love the thrill of the ride, this bike is guaranteed to deliver.



devinci



devinciIntelligence

DEVINCI.COM