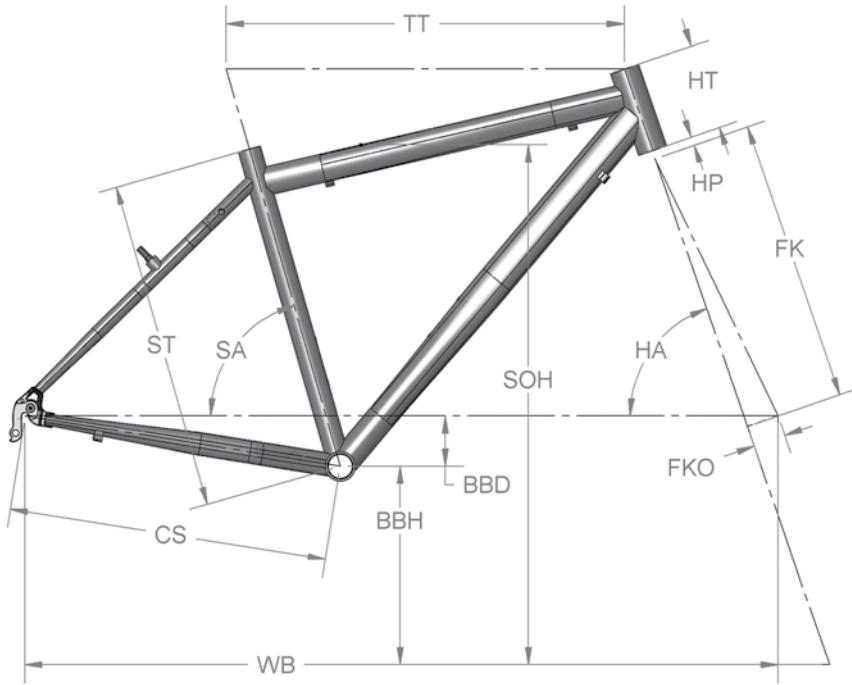


SGX 61 HYBRID FRAME



FRAME TECHNICAL SPECIFICATIONS

Seat post diameter	27.2 mm
Seat collar diameter	31.8 mm
Headset diameter	1 1/8"
Headset type	Conventional
Fork type	Rigid
Brake type	"V-Brake"
Front derailleur diameter	31.8 mm
Front derailleur cable route	Bottom
Front derailleur type	Top-swing
Bottom bracket shell width	68 mm
Freehub width	135 mm
Shock length	NA
Shock travel	NA
Shock pivot width top	NA
Shock pivot width bottom	NA
Shock bolt diameter	NA
Rear wheel travel	NA
Tire maximum clearance	700 - 35
Rear derailleur hanger type	MFD205
Rear rack eyelet	Dropout - Seatstay
Fender eyelet	Yes
Weight	1.60 kg / 3.52 lb

FRAME GEOMETRY

	ST		SA	HA	TT		CS		WB		BBH		SOH		HT		BBD		FK		FKO		HP	
	cm	in	deg	deg	mm	in	mm	in	mm	in	mm	in	mm	in	mm	in	mm	in	mm	in	mm	in	mm	in
S	41,0	16,1	75,0	70,5	540,0	21,3	445,0	17,5	1050,0	41,3	277,0	10,9	695,0	27,4	120,0	4,7	70,0	2,8	395,0	15,6	45,0	1,8	12,0	0,5
M	46,0	18,1	74,0	71,0	555,0	21,9	445,0	17,5	1050,0	41,3	277,0	10,9	727,0	28,6	120,0	4,7	70,0	2,8	395,0	15,6	45,0	1,8	12,0	0,5
L	51,0	20,1	73,5	71,0	565,0	22,2	445,0	17,5	1056,0	41,6	277,0	10,9	767,0	30,2	150,0	5,9	70,0	2,8	395,0	15,6	45,0	1,8	12,0	0,5
XL	55,0	21,7	73,0	71,0	585,0	23,0	445,0	17,5	1072,0	42,2	277,0	10,9	803,0	31,6	180,0	7,1	70,0	2,8	395,0	15,6	45,0	1,8	12,0	0,5
S LADY	41,0	16,1	75,0	70,5	540,0	21,3	445,0	17,5	1050,0	41,3	277,0	10,9	594,0	23,4	120,0	4,7	70,0	2,8	395,0	15,6	45,0	1,8	12,0	0,5

SIZING CHART

Height (cm)	144	146	148	150	152	154	157	159	161	163	165	168	170	172	174	176	178	180	182	184	186	188	190	192	194	196	198	200	202	
Inseam (cm)	68	69	70	71	72	73	74	75	76	77	78	79	80	81	82	83	84	85	86	87	88	89	90	91	92	93	94	95	96	
S																														
M																														
L																														
XL																														
S LADY																														
Height (inch)	4'8"	4'10"	4'11"	4'11"	5'0"	5'1"	5'1"	5'2"	5'3"	5'4"	5'5"	5'6"	5'7"	5'7"	5'8"	5'9"	5'10"	5'11"	6'0"	6'0"	6'1"	6'2"	6'3"	6'4"	6'5"	6'5"	6'6"	6'7"	6'7"	
Inseam (inch)	26¾	27¼	27½	28	28¼	28¾	29¼	29½	30	30¼	30¾	31	31½	32	32¼	32¾	33	33½	33¾	34¼	34¾	35	35½	35¾	36¼	36¾	37	37½	37¾	

TO MEASURE INSEAM

You must be standing on a hard surface, in bare feet (or light cycling socks). Ideally, you will be wearing cycling shorts or long tights.

Place the feet so the medial ankle bones are approximately 5 cm apart. This can easily be gauged by slipping the width of the measuring tape case between the ankle bones.

The metric tape should be centered in the crotch. With the tape firmly in the crotch, pull with about the same pressure that you would feel if you were sitting on a bicycle seat. Pull the measuring tape to the floor for the inseam measurement.

TO MEASURE HEIGHT

You must be standing on a hard surface, in bare feet (or light cycling socks).

Place the feet so the medial ankle bones are approximately 5 cm apart. This can easily be gauged by slipping the width of the measuring tape case between the ankle bones.

